

min. 50

X
→

min. 50

View X
1 : 20

Isometric
1 : 100

Acc. to the installation manual,
the clamp position and the modules
have to be installed in a symmetrical
arrangement to the beam length.

24 modules (2x12 Portrait)
for module width ≤ 1144 mm

20 modules (2x10 Portrait)
for module width > 1144-1303 mm

Peak velocity $q_p[z]$: 0.67kN/m²
Ground snow load S_k : 1.75kN/m²

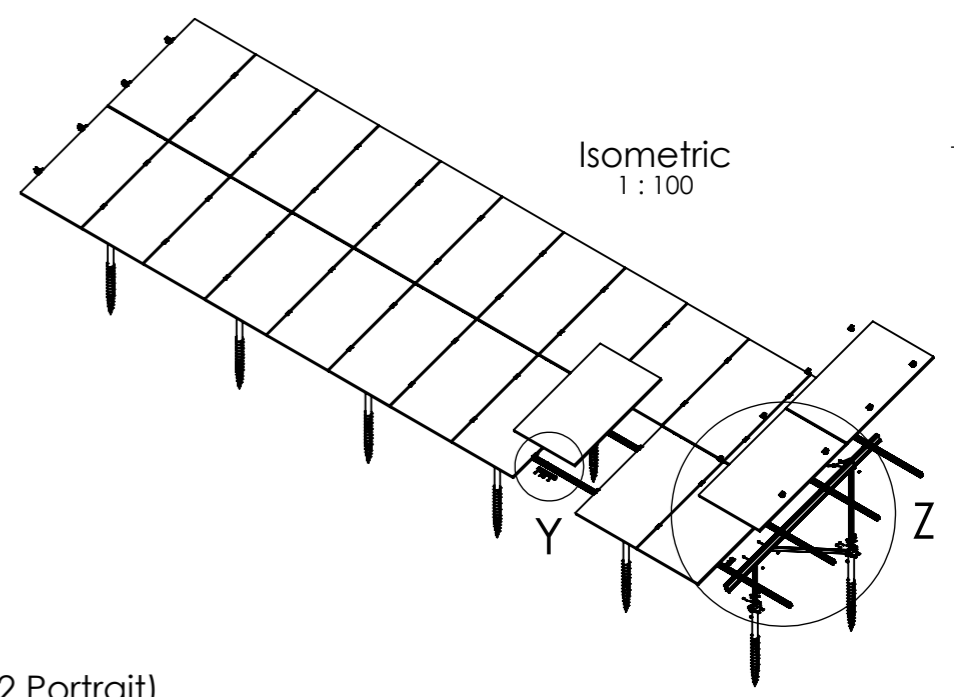
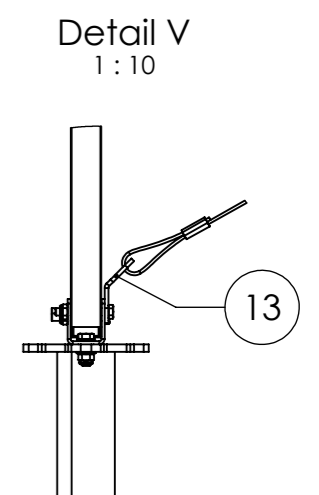
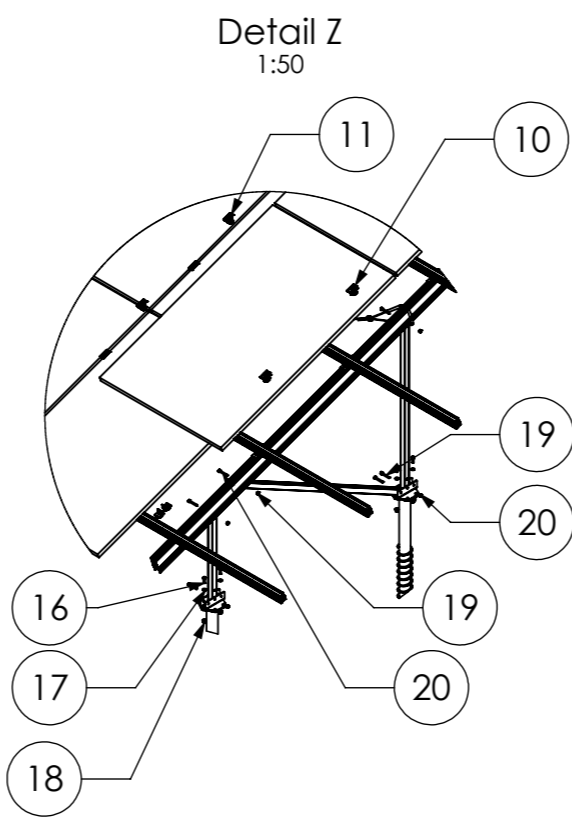
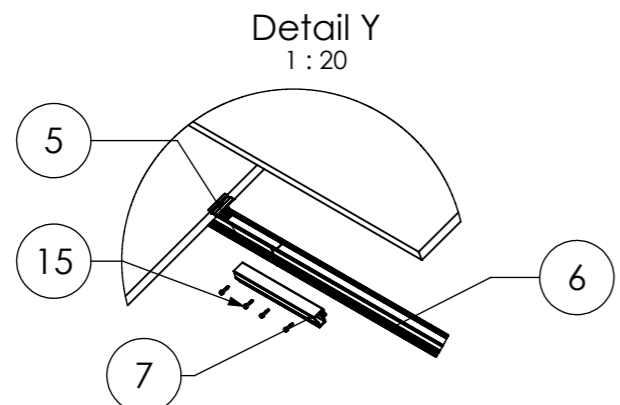
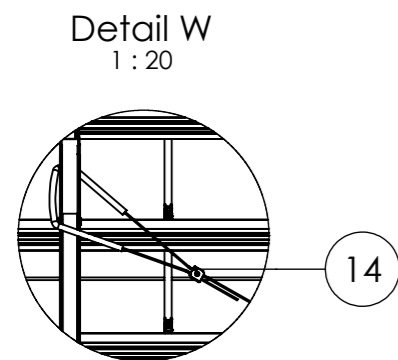
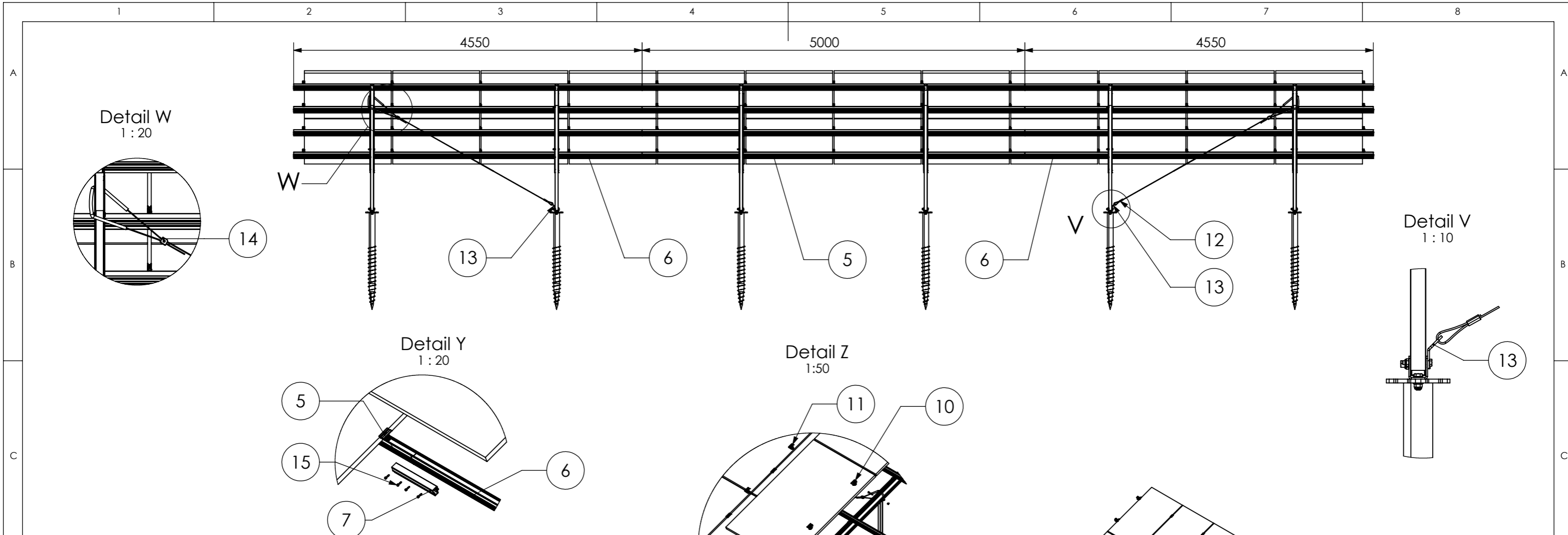


K2 Systems GmbH
Haldenstr. 1
71272 Renningen
Germany
+49 7159 42059-0

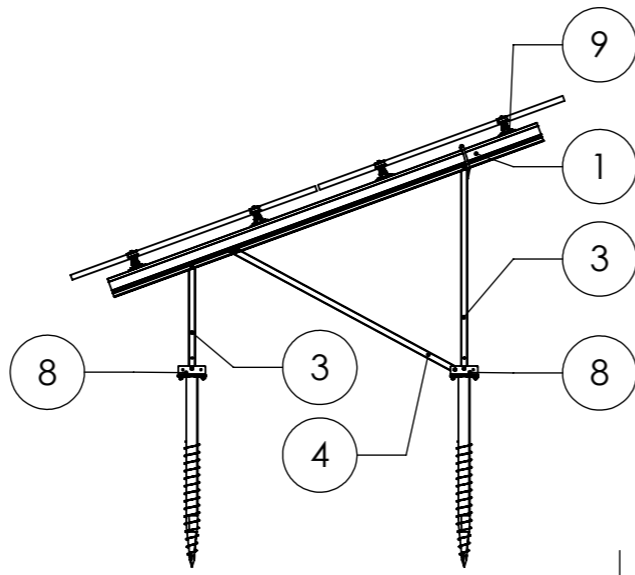
Designation:
Data sheet
N-Rack 2.20 Concrete 2x12 S

	Name	Date	Material:	Item no.:	A3
Designed	S. Frey	11.08.2025	-	-	All dimensions in mm Sheet 1 of 1
Approved	B. Koch	01.10.2025	Surface: -	Drawing no.: -	
Last change	A. Soumpalas	20.03.2026	Weight: -	Scale: 1:50	

This drawing is the sole property of K2 Systems GmbH. It is protected by copyright and may only be copied, reproduced or distributed to a third party with explicit permission!



Pos.No.	Designation
1	Beam N-Rack 3020
2	3-Hole Brace N-Rack 715
3	3-Hole Brace N-Rack 1370
4	2-Hole Brace N-Rack 1696
5	CrossRail 73 - 5 m
6	CrossRail 73 - 4,55 m
7	CrossRail 73 Connector
8	N-Rack GS Foot
9	Climber 36/50 Set
10	EC Clamp Set
11	MC Clamp Set
12	Gripple Bracing
13	Gripple Angle
14	Gripple Lock
15	Self-tapping screw 5,5 x 25 - A2
16	Hexagon head bolt - ISO 4017 - M8x35 - A2-70
17	Plain washer - ISO 7089 - 12 - A2-50
18	Hexagon nut with flange and clamping part - EN 1663 - M12 - A2-70
19	Hexagon head bolt - ISO 4014 - M10x70-A2-70
20	Hexagon nut with clamping piece - ISO 10511 - M10 - A2-70



24 modules (2x12 Portrait)
for module width ≤ 1144 mm

20 modules (2x10 Portrait)
for module width > 1144-1303 mm

Peak velocity $q_p[z]$: 0.67kN/m²
Ground snow load S_k : 1.75kN/m²

	K2 Systems GmbH Haldenstr. 1 71272 Renningen Germany +49 7159 42059-0			Designation: Data sheet N-Rack 2.20 Concrete 2x12 S																					
	<table border="1"> <tr><td>Name</td><td>Date</td><td>Material:</td></tr> <tr><td>Designed S. Frey</td><td>11.08.2025</td><td>-</td></tr> <tr><td>Approved B. Koch</td><td>01.10.2025</td><td>Surface: -</td></tr> <tr><td>Last change A. Soumpalas</td><td>20.03.2026</td><td>Weight: -</td></tr> </table>	Name	Date	Material:	Designed S. Frey	11.08.2025	-	Approved B. Koch	01.10.2025	Surface: -	Last change A. Soumpalas	20.03.2026	Weight: -	<table border="1"> <tr><td>Item no.:</td><td>-</td><td>A3</td></tr> <tr><td>Drawing no.:</td><td>-</td><td>All dimensions in mm</td></tr> <tr><td>Scale:</td><td>1:50</td><td>Sheet 1 of 1</td></tr> </table>	Item no.:	-	A3	Drawing no.:	-	All dimensions in mm	Scale:	1:50	Sheet 1 of 1	This drawing is the sole property of K2 Systems GmbH. It is protected by copyright and may only be copied, reproduced or distributed to a third party with explicit permission!	
Name	Date	Material:																							
Designed S. Frey	11.08.2025	-																							
Approved B. Koch	01.10.2025	Surface: -																							
Last change A. Soumpalas	20.03.2026	Weight: -																							
Item no.:	-	A3																							
Drawing no.:	-	All dimensions in mm																							
Scale:	1:50	Sheet 1 of 1																							